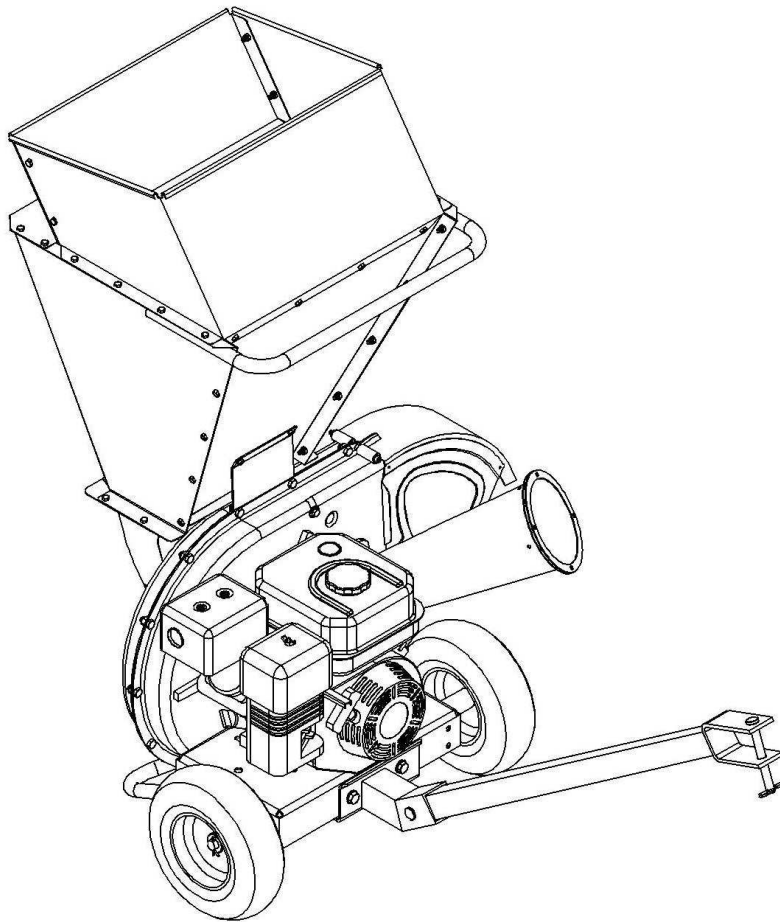




6.5HP PULL BEHIND SHREDDER CT2434

Ref no. SP46101



This symbol points out important safety instruction which, if not followed, could endanger the personal safety and/ or property of yourself and others. Read and follow all instructions in this manual before attempting to operate this machine. Failure to comply with these instructions may result in personal injury. When you see this symbol **HEED ITS WARNING!**

EC DECLARATION OF CONFORMITY

We CANNON TOOLS LTD

20 Station road, Rowley Regis, West Midlands, B65 0JU.U.K.

Declare that the design and construction of the following machine, in the form supplied by us, comply with the requirements of the appropriate EC directives.

Product description: 6.5HP PULL BEHIND SHREDDER

Model: CT2434

- EC-Machinery Directive 2006/42/EC
- EC-Directive on electromagnetic compatibility(EMC)2004/108/EC

CANNON TOOLS LTD

sign G.S.



Gurcharan Tony Singh Sanghera

2015-5-15

IMPORTANT

Read carefully before use.

Keep this instruction manual for future reference.



Read this manual.



Danger-Rotating blades.Keep hands and feet out of the openings while machine is running.



Keep bystanders away.



Wear eye and ear protection.

TECHNICAL DATA

Shredder model	CT2434
Engine Model	JF200
Output	6.5HP
Engine type	4-Stroke,Overhead Valve Single Cylinder
Cooling system	Forced Air
Engine displacement (cm ³)	196 cm ³
Max.speed(rpm)	3600RPM
Fuel consumption(gph)	0.51GPH
Ignition	Transistorized Magneto
Bore x stroke (mm)	68 x 54mm
Weight without fuel and oil (kg)	16 kg
Feed intake openings	335 x 480 mm(hopper), Φ50mm(chipper)
Sound pressure level	94dB(A)
Sound power level	109dB(A)

Safe Operation Practices

TRAINING

1. Read, understand, and follow all instructions on the machine and in the manual(s) before attempting to assemble and operate. Keep this manual in a safe place for future and regular reference and for ordering replacement parts.
2. Be familiar with all controls and their proper operation. Know how to stop the machine and disengage them quickly.
3. Never allow children under 16 years old to operate this machine. Children 16 years old and over should read and understand the operation instructions and safety rules in this manual and should be trained and supervised by a parent.
4. Never allow adults to operate this machine without proper instruction.
5. Keep bystanders, helpers, pets, and children at least 75 feet from the machine while it is in operation. Stop machine if anyone enters the area.
6. Never run an engine indoors or in a poorly ventilated area. Engine exhaust contains carbon monoxide, an odorless and deadly gas.
7. Do not put hands and feet near rotating parts or in the feeding chambers and discharge opening. Contact with the rotating impeller can amputate fingers, hands, and feet.
8. Never attempt to unclog either the feed intake or discharge opening, remove or empty bag, or inspect and repair the machine while the engine is running. Shut the engine off and wait until all moving parts have come to a complete stop. Disconnect the spark plug wire and ground it against the engine.

PREPARATION

1. Thoroughly inspect the area where the equipment is to be used. Remove all rocks, bottles, cans, or other foreign objects which could be picked up or thrown and cause personal injury or damage to the machine.
2. Always wear safety glasses or safety goggles during operation or while performing an adjustment or repair, to protect eyes. Thrown objects which ricochet can cause serious injury to the eyes.
3. Wear sturdy, rough-soled work shoes and close-fitting slacks and shirts. Loose fitting clothes or jewelry can be caught in movable parts. Never operate this machine in bare feet or sandals. Wear leather work gloves when feeding material in the chipper chute.
4. Before starting, check all bolts and screws for proper tightness to be sure the machine is in safe working condition. Also, visually inspect machine for any damage at frequent intervals.
5. Only operate the machine in open space and on firm, level space
6. Maintain or replace safety and instructions labels, as necessary.
7. To avoid personal injury or property damage use extreme care in handling gasoline. Gasoline is extremely flammable and the vapors are explosive. Serious personal injury can occur when gasoline is spilled on yourself or your clothes which can ignite. Wash your skin and change clothes immediately.
8. Use only an approved gasoline container.
9. Extinguish all cigarettes, cigars, pipes, and other sources of ignition.
10. Never fuel machine indoors.
11. Never remove gas cap or add fuel while the engine is hot or running.
12. Allow engine to cool at least two minutes before refueling.
13. Never over fill fuel tank. Fill tank to no more than 1/2 inch below bottom of filler neck to provide space for fuel expansion.
14. Replace gasoline cap and tighten securely.
15. If gasoline is spilled, wipe it off the engine and equipment. Move machine to another area. Wait 5 minutes before starting the engine.
16. Never store the machine or fuel container inside where there is an open flame, spark, or pilot light(e.g. furnace, water heater, space heater, clothes dryer, etc)
17. To reduce a fire hazard, keep machine free of grass, leaves, or other debris build-up. Clean up oil or fuel spillage and remove any fuel soaked debris.
18. Allow machine to cool at least 5 minutes before storing.
19. Do not smoke.
20. **WARNING:** Engine Exhaust, some of its constituents and certain vehicle components contain or emit chemicals to cause cancer and birth defects or other reproductive harm.



DANGER: This machine was built to be operated according to the rules for safe operation in this manual. As with any type of power equipment, carelessness or error on the part of the operator can result in serious injury. This machine is capable of amputating hands and feet and throwing objects. Failure to observe the following safety instructions could result in serious injury or death

OPERATION

1. Do not put hands and feet near rotating parts or in the feeding chambers and discharge opening. Contact with the rotating impeller can amputate fingers, hands, and feet.
2. Always stand clear of the discharge zone when operating this machine.
3. Keep proper balance and footing at all times. Do not overreach. Never stand at a higher level than the base of the machine when feeding material into it.
4. Before starting the machine, make sure the chipper chute, feed intake, and cutting chamber are empty and free of all debris.
5. Thoroughly inspect all material to be shredded and remove any metal, rocks, bottles, cans, or other foreign objects which could cause personal injury or damage to the machine.
6. If it becomes necessary to push material through the shredder hopper, use a small diameter stick. Do not use your hands or feet.
7. Do not allow processed material to build up in the discharge zone; this may prevent proper discharge and can result in kickback of material through the feed intake opening.
8. If it impeller strikes a foreign object or if your machine should start making an unusual noise or vibration, immediately shut the engine off. Allow the impeller to come to a complete stop. Disconnect the spark plug wire, ground it against the engine and perform the following steps:
 - a. Inspect for damage.
 - b. Repair or replace any damaged parts.
 - c. Check for any loose parts and tighten to assure continued safe operation.
9. Do not allow an accumulation of processed material to build up in the discharge area. This can prevent proper discharge and result in kickback of material through the feed opening.
10. Do not attempt to shred or chip material larger than specified on the machine or in this manual. Personal injury or machine damage could result.
11. Never attempt to unclog either the feed intake or discharge opening while the engine is running. Shut the engine off, wait until all moving parts have stopped, disconnect the spark plug wire and ground it against the engine before clearing debris.
12. Never operate without the shredder hopper, chipper chute, or chute deflector properly attached to the machine. Never empty or change discharge bag while the engine is running.
13. Keep all guards, deflectors and safety devices in place and operating properly.
14. Keep your face and body back and to the side of the chipper chute while feeding material into the machine to avoid accidental kickback injuries.
15. Never operate this machine without good visibility or light.
16. Do not operate this machine on a paved, gravel or non-level surface.
17. Do not operate this machine while under the influence of alcohol or drugs.
18. Muffler and engine become hot and can cause a burn. Do not touch.
19. Never pick up or carry machine while the engine is running.
20. Do not tilt the machine while the power source is running.

MAINTENANCE & STORAGE

1. Never tamper with safety devices. Check their proper operation regularly.
2. Check bolts and screws for proper tightness at frequent intervals to keep the machine in safe working condition. Also, visually inspect machine for any damage and repair, if needed.
3. Before cleaning, repairing, or inspecting, stop the engine and make certain the impeller and all moving parts have stopped. Disconnect the spark plug wire and ground it against the engine to prevent unintended starting.
4. Do not change the engine governor settings or over speed the engine. The governor controls the maximum safe operating speed of the engine.
5. Maintain or replace safety and instruction labels, as necessary.
6. Follow this manual for safe loading, unloading, transporting, and storage of this machine.
7. Never store the machine or fuel container inside where there is an open flame, spark or pilot light such as a water heater, furnace, clothes dryer, etc.
8. Always refer to the operator's manual for proper instructions on off- season storage.
9. If the fuel tank has to be drained, do this outdoor.
10. Observe proper disposal laws and regulations for gas, oil, etc. to protect the environment.
11. When servicing the cutting means be aware that, even though the power source will not start due to the interlock feature of the guard, the cutting means can still be moved by a manual starting mechanism.

Do not modify engine

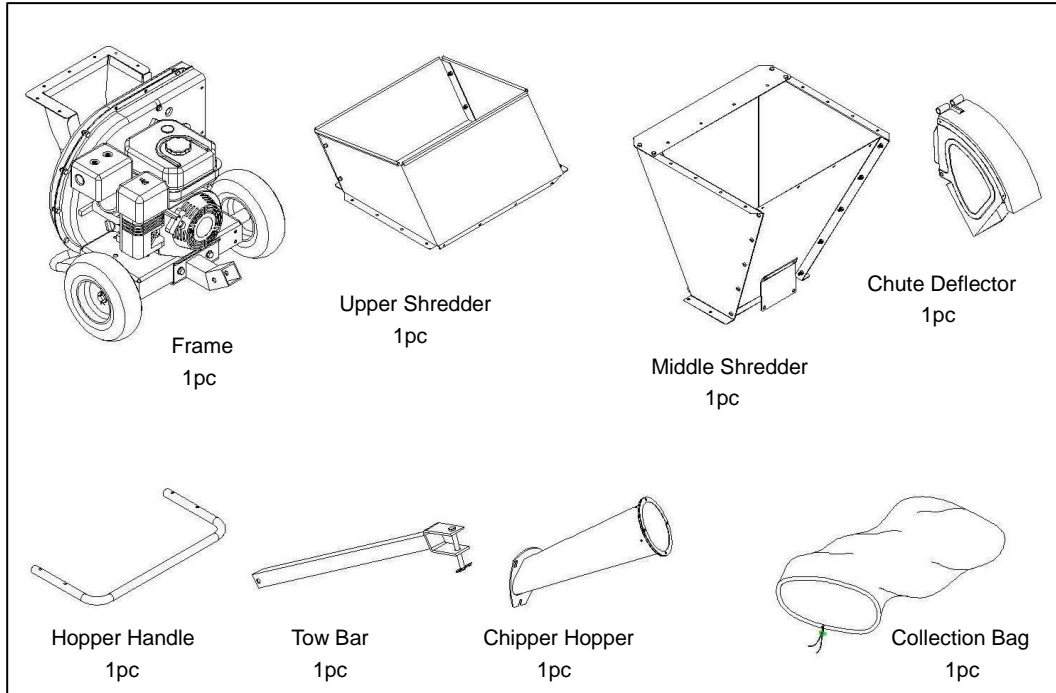
To avoid serious injury or death, do not modify engine in any way. Tampering with governor setting can lead to a runaway engine and cause it to operate at unsafe speeds. Never tamper with factory setting of engine governor.

Your Responsibility

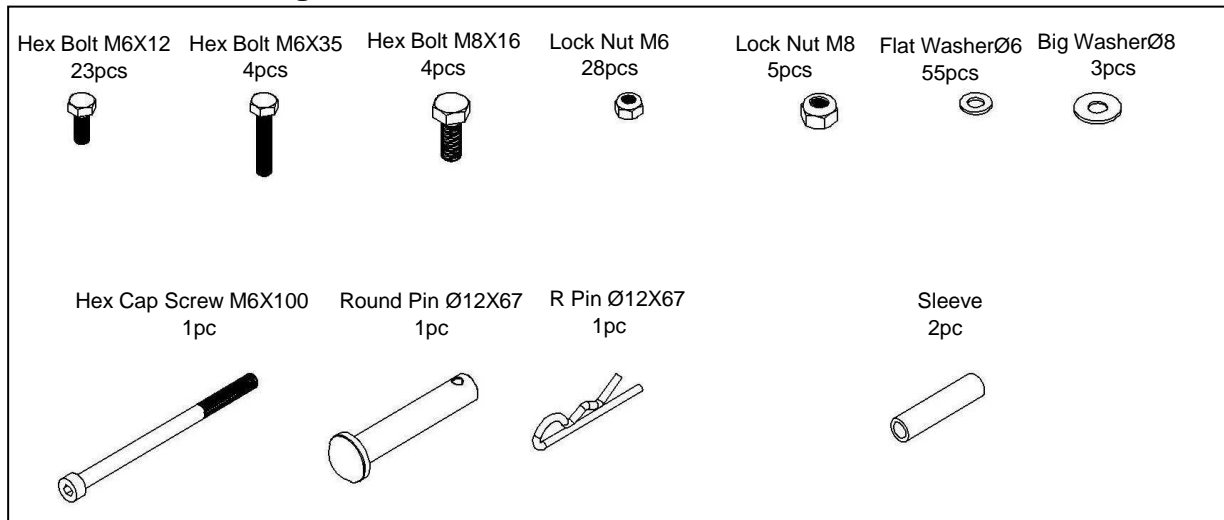
Restrict the use of this power machine to persons who read, understand and follow the warnings and instructions in this manual and on the machine.

Setting Up Your Shredder

Loose Part in Plywood Box

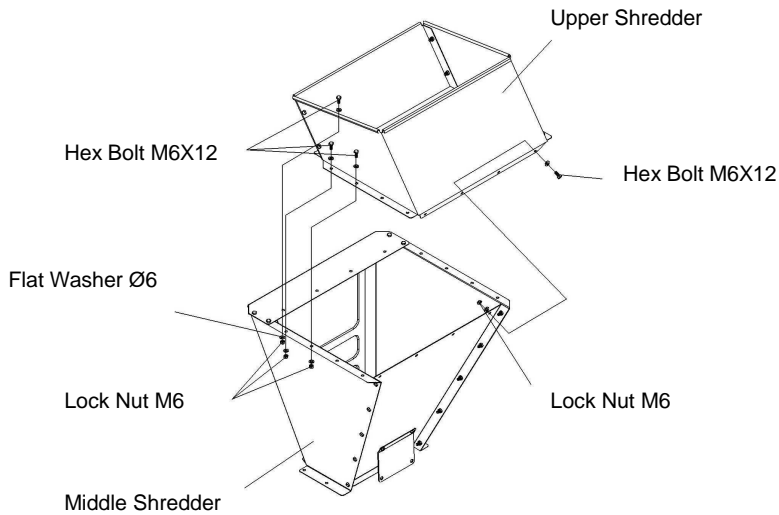


Hardware in Package

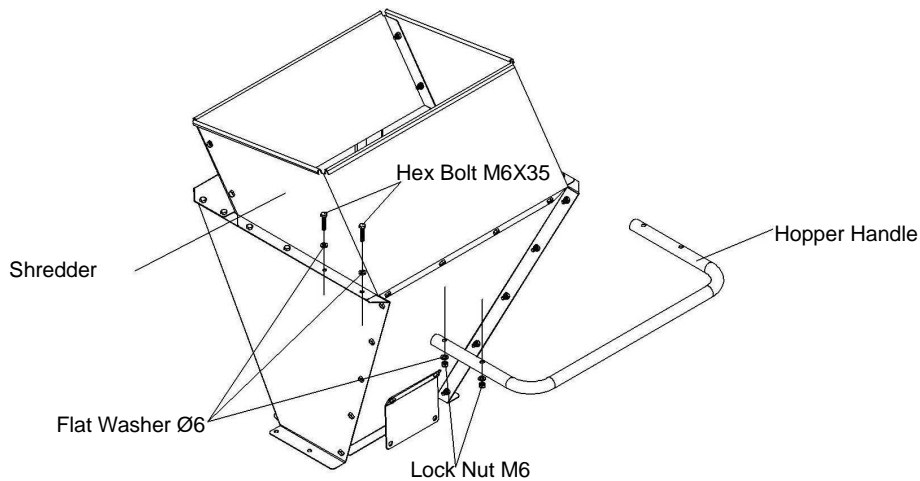


Assemble Your Shredder

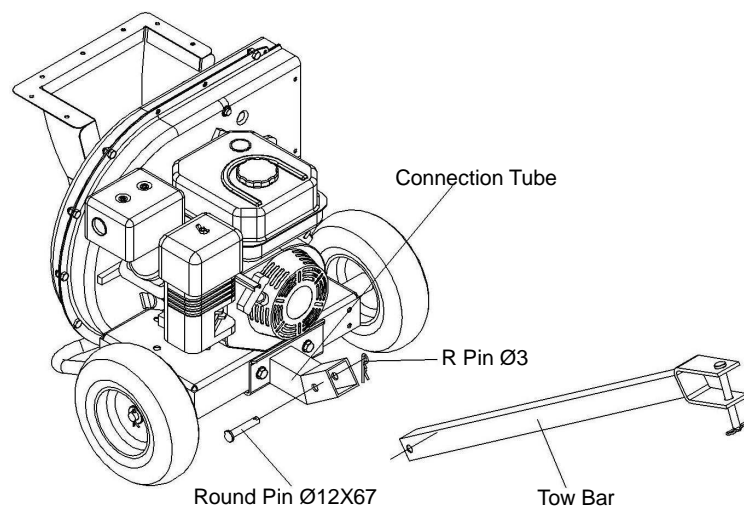
Step 1: Combine the upper shredder with the middle shredder by hex bolt M6X12, flat washer Ø6 and lock nut M6, and tighten all the bolts and nuts.



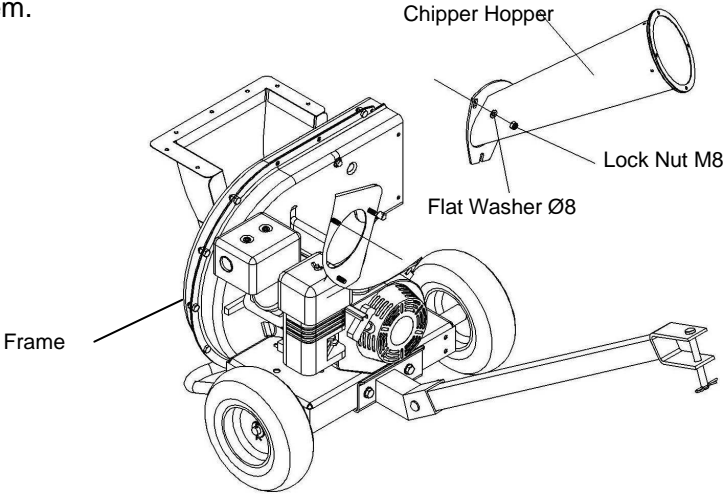
Step 2 Assemble the hopper handle onto the shredder by hex bolt M6X35, flat washer Ø6 and lock nut M6 then tighten them.



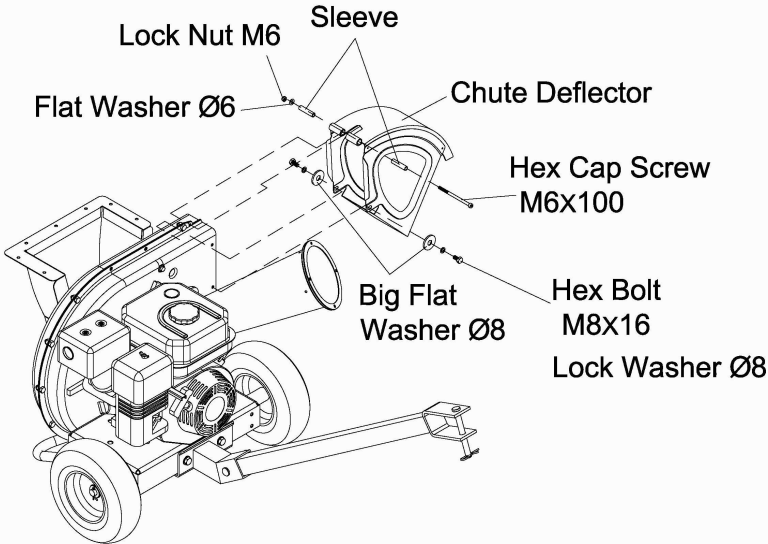
Step 3 Assemble the tow bar to the connection tube by round pin Ø12X67 and R pin Ø3.



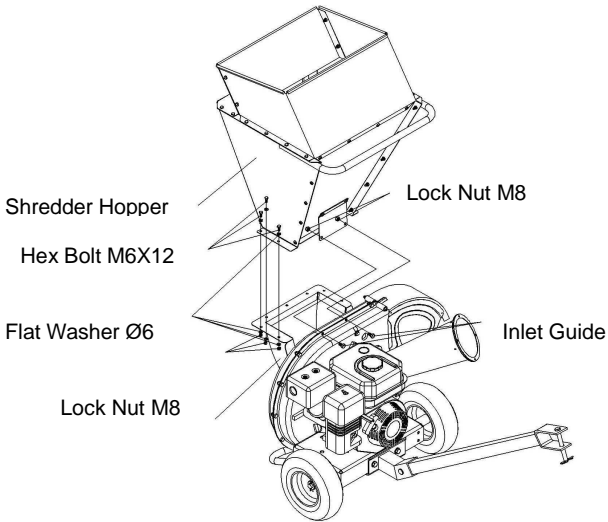
Step 4 Assemble the chipper hopper onto the frame, put on flat washer Ø8 and lock nut M8, then tighten them.



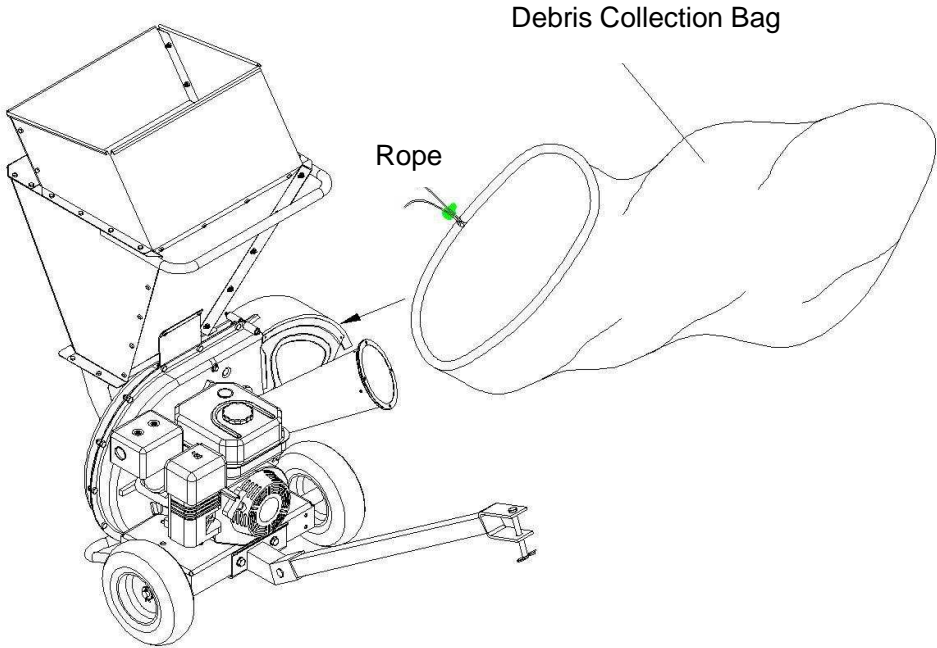
Step 5 Attached the chute deflector and the sleeve onto the frame, fix with hex cap screw M6X100, flat washer Ø6 and lock nut M6. Finally fit the bolt M8x16,lock washer Ø8,big flat washer Ø8.



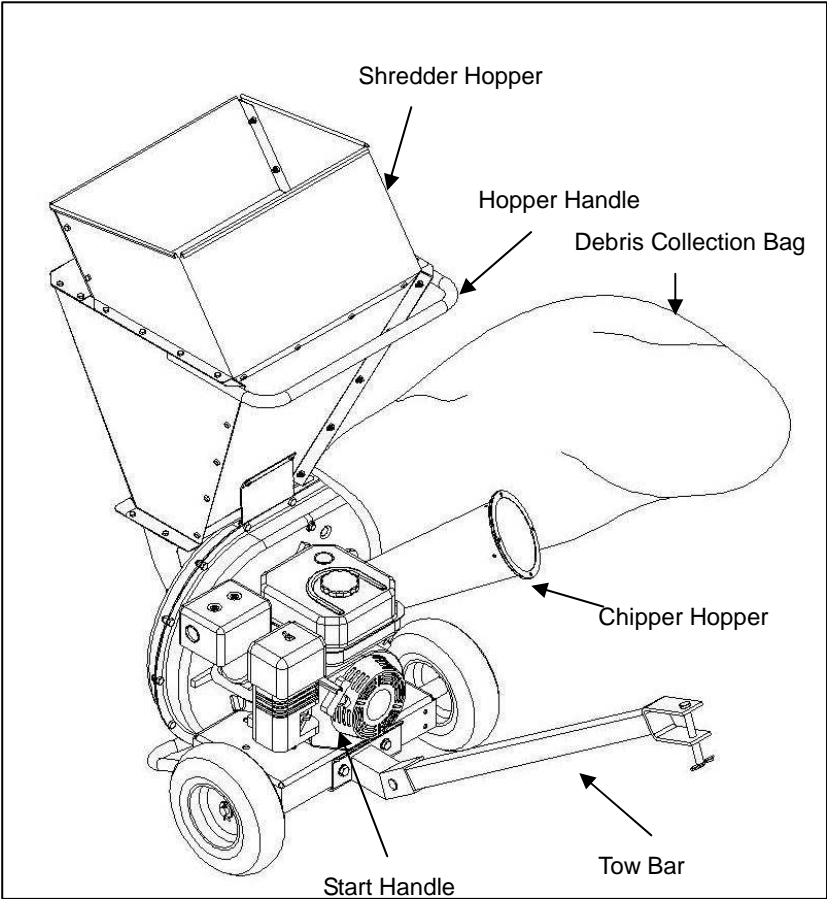
Step 6 Assemble the shredder hopper onto the frame by hex bolt M6X12, flat washer Ø6 and lock nut M6, and connect the hex bolt M8x16 and lock nut M8, then tighten.



Step 7 Attached the debris collection bag onto the chute deflector and frap the rope.



Know Your Chipper Shredder



Now that you have set up your shredder for operation, get acquainted with its controls and features. These are described below and illustrated on it. This knowledge will allow you to use your new equipment to its fullest potential.

Chipper Hopper

Branches up to 3”in diameter may be fed into the chipper chute for chipping.

Shedder Hopper

Leaves, twigs and branches up to 1/2-inch in diameter may be placed into the hopper for shredding.

Tow Bar

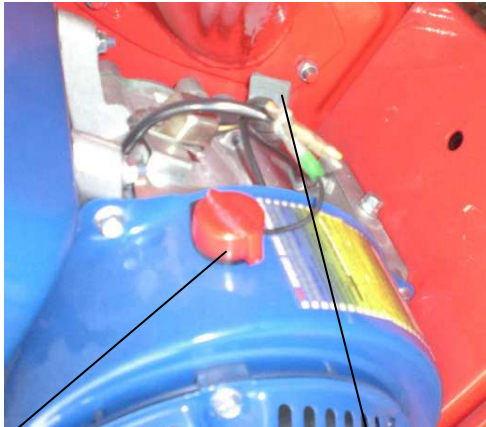
Use the tow bar to tow the chipper shredder behind a tractor to a job site.

Hopper Handle

Use the handle when manually transporting the chipper shredder.

IMPORTANT: Never place branches with a diameter greater than 1/2-inch in the shredder hopper. Doing so can result in serious damage to your unit’s shredder blade, fails or impeller.

See below pictures to know the engine



Engine switch

Oil cap



Throttle lever

Choke lever

Fuel valve lever

Recoil starter



Fuel level indicator

Fuel cap

Operating Your Shredder



The operation of shredder can result in foreign objects being thrown into the eyes, which can damage your eyes severely. Always wear the safety glasses provided with this unit or eye shields before chipping or shredding and while performing any adjustments or repairs.

Never fill fuel tank indoors with engine running or until the engine has been allowed to cool for at least two minutes after running.

Never run the engine indoors or in a poorly ventilated area. Engine exhaust contains carbon monoxide, an odorless and deadly gas.

Never stop the engine by moving the choke lever into the CHOKE position. Backfire, fire or engine damage could result.

Gas and Oil Fill-Up

Open the fuel cap and oil cap separately and add gasoline and oil to the relevant tank. (see pictures on page 9)



WARNING: Never fill fuel tank indoors with engine running or until the engine has been allowed to cool for at least two minutes after running.

Starting Engine

Engine Starting Procedure:

1. Move the fuel valve lever to the ON position. The fuel valve opens and closes the passage between the fuel tank and the carburetor. The fuel valve must be in the ON position for the engine to run.
2. To start a cold engine, move the choke lever to the CLOSED position. To restart a warm engine, leave the choke lever in the OPEN position. The choke lever opens and closes the choke valve in the carburetor. The CLOSED position enriches the fuel mixture for starting a cold engine. The OPEN position provides the correct fuel mixture for operation after starting, and for restarting a warm engine.
3. Move the throttle lever away from the SLOW position, about 1/3 of the way toward the FAST position. The throttle lever controls engine speed. Moving the throttle lever in one direction or the other, makes the engine run faster or slower.
4. Turn the engine switch to the ON position. The engine switch enables and disables the ignition system. The engine switch must be in the ON position for the engine to run. Turning the engine switch to the OFF position stops the engine.
5. Operate the RECOIL STARTER: Pull the starter grip lightly until you feel resistance, then pull briskly. Return the starter grip gently. Pulling the starter grip operates the recoil starter to crank the engine.
6. If the choke lever has been moved to the CLOSED position to start the engine, gradually move it to the OPEN position as the engine warms up.



WARNING: Never run the engine indoors or in a poorly ventilated area. Engine exhaust contains carbon monoxide, an odorless and deadly gas.



WARNING: ALWAYS CHECK OIL LEVEL BEFORE STARTING MACHINE

Stopping Engine

To stop the engine in an emergency, simply turn the engine switch to the OFF position. Under normal conditions, use the following procedure.

1. Move the throttle lever to the SLOW position.
2. Turn the engine switch to the OFF position.
3. Turn the fuel valve lever to the OFF position. When the engine is not in use, leave the fuel valve lever in the OFF position to prevent carburetor flooding and to reduce the possibility of fuel leakage.

Operating The Shredder Shredding

Yard waste such as leaves and pine needle can be placed in the hopper for shredding. After material has been processed by the shredder blade and flails, it will be forced out of the chute deflector, and, if attached, into a debris collection bag.

Observe the following guidelines when shredding yard debris:

1. Never attempt to shred material other than normal yard debris(leaves, twigs, pine cones, etc)
2. Avoid shredding fibrous plants such as tomato vines until they are thoroughly dried out. Fresh vines do not shred well and tend to wrap themselves around the impeller and flails.
3. Place reasonable amounts of debris into the hopper at a time. Do not overload the hopper.
4. Allow the material in the hopper to be drawn into the blades and shredded before adding additional debris to the hopper. Failure to do so may result in a clogged hopper, clogged chute deflector or a stalled engine.
5. Avoid placing twigs longer than 24 inches into the hopper. Twigs longer than 24 inches may result in a clogged hopper.
6. Never place branches with a diameter greater than 1/2-inch in the shredder hopper. Doing so can result in serious damage to the unit's shredder blade, flails or impeller

Attention:

Never operate your leaf shredder-chipper on slippery, wet, muddy, or icy surfaces. Safe footing is essential in preventing accidents.

Only operate on level ground. If level ground is impossible to find, be sure the leaf tray is "up hill" to assure proper engine lubrication as shown.

Keep operator zone clean and clear of debris so that you don't stumble over it

Clearing the Hopper

Should the hopper become clogged with debris during operation, proceed as follows:

Grasp the handle with both hands and gently agitate the chipper shredder to help loose debris, drawing it into the impeller.

If the clog does not clear, proceed as follows:

Stop engine.

Use your hands to remove any debris found near the top of the hopper.

Use a branch (or other available device, i.e. broom-stick) to dislodge debris located toward the base of the hopper.



WARNING: please be careful when clearing the hopper and never touch the blade with your hands.

Chipping

Branches up to 3" in diameter can be fed into the chipper chute. Observe the following guidelines when chipping branches:

1. Keep both hands firmly on the branch as you fed it into the chipper chute.
2. Never feed more than one branch into the chipper chute at a time.
3. Never feed anything other than branches (or wood) into the chipper chute.
4. Apply intermittent pressure (force, in short pulses) while feeding larger (2-3-inch diameter) branches into the chipper chute, to avoid bogging or stalling the engine.

IMPORTANT: Never feed branches with a diameter greater than 2-7/8 inches into the chipper chute. Doing so can result in serious damage to your unit's chipper blades, flails or impeller.

NOTE: For best performance, always operate the unit with sharp chipper blades. If a noticeable loss in performance is encountered while chipping branches, the chipper blades should be replaced..

Emptying the Debris Collection Bag

1. Stop engine.
2. Loosen the rope and detach the collection bag.
3. Empty the bag and reattach to the chute deflector.

Maintaining Your Shredder



WARNING: Always stop engine, disconnect spark plug, and ground against engine before cleaning, lubricating or doing any kind of maintenance on your machine.

Engine Care

1. Check engine oil level before each use .
2. Clean air cleaner's every 25 hours under normal condition. Clean every few hours under extremely dusty condition. Replace the air cleaner cartridge once a season.
3. The spark plug should be cleaned and the gap reset once a season.

Chipper Shredder Care

Before each use, visually inspect your chipper shredder for loose (or missing)nuts and bolts. Securely tighten (to replace) all hardware before operating the chipper shredder.

Cleaning The Discharging Chute



WARNING: The shredder blades are sharp. Wear leather work gloves to protect your hands when you cleaning out the reduction chamber.

If the reduction chamber becomes clogged with debris, you can clean the surrounding area with a branch .To do so, proceed as follows:

1. Stop engine, disconnect spark plug, and make certain the chipper shredder has come to a complete stop.

WARNING: The muffler and surrounding area will be hot the engine has been running. Use caution and protect your hands if working near the muffler.

2. If attached, remove debris bag.
3. Confirm that the spark plug wire is disconnected and away from spark plug. Pull on the starter rope two-to-three times to purge any remaining debris from the reduction chamber
4. When the area is cleaned, pivot the shredder screen downward and re-secure with the clevis pin and hairpin clip removed earlier. See figure 1-1
5. When the area is cleaned, reattach the debris collection bag to the chute deflector, if desired.

Sharpening Or Replacing Chipper Blades



WARNING: The impeller's chipper blades are sharp. Wear leather work gloves to protect your hands

1. Stop engine, disconnect spark plug, and make certain the shredder has come to a complete stop.
2. Pivot the shredder screen upward as instructed under the heading cleaning the reduction Chamber.
3. a. Remove the chipper chute support brace from the frame by removing the two hex bolts and saddle washers which secure it. See Figure 1-1.
- b. Remove the chipper chute by removing three hex nuts and washers which secure it to the impeller housing. See Figure 1-1
- * Rotate the impeller by hand until one of the two chipper blades is visible through the impeller housing opening.
- c. Remove the blade by removing the internal hex screws, lock washers and hex nuts which secure it to the impeller.Retain the hardware

NOTE: Use a 5mm hex key wrench on the outside of the blade and a 13mm socket wrench on the inside of the impeller. Hold the hex key Wrench stationary and rotate the socket wrench to loosen the nut.

4. Install a replacement blade with the hardware removed earlier or sharpen.

IMPORTANT: When sharpening the blade, protect hands by using gloves. Follow the original angle of grind and make sure to remove an equal amount from each blade.

5. To replace the other blade, rotate the impeller to expose the second blade and repeat the steps above.

NOTE: Make certain blades are reassembled with the sharp edge outward (toward the chipper chute). Torque hardware to between 20 ft.-lbs and 25 ft.-lbs.

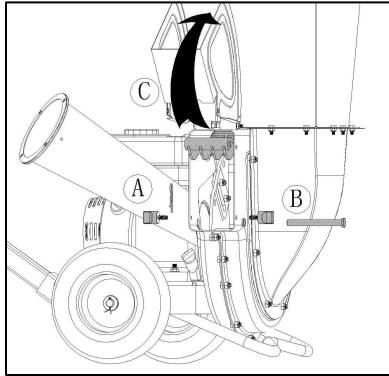


Figure 1-1

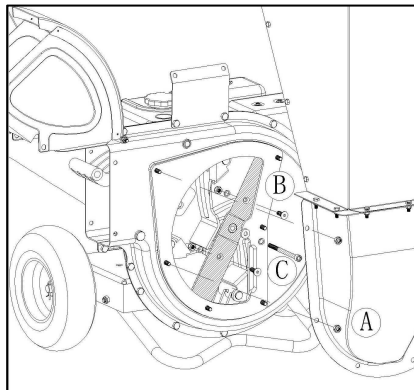


Figure 1-2

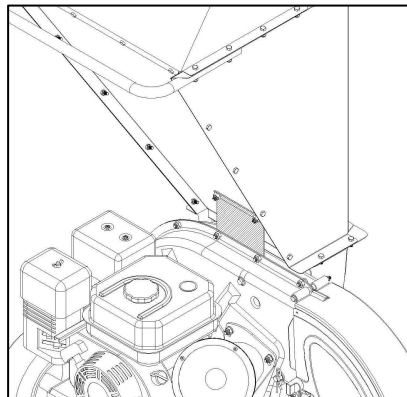


Figure 1-3

Sharpening Or Replacing The Shredder Blade



WARNING: The shredder blade is sharp. Wear leather work gloves to protect your hands.

1. Stop engine, disconnect spark plug, and make certain that all moving parts have come to a complete stop.
2. Remove the two flange nuts (and hex bolts) which secure the hopper support bracket to the impeller housing. Retain the hardware. See Figure 1-2.
3. Pivot the shredder screen upward as instructed under the heading cleaning the Reduction Chamber.
 - a. Remove six flange nuts which secure hopper inlet guide to impeller housing. See Figure 1-3.
 - * Carefully separate the hopper assembly from the impeller housing and set it aside.
 - * Insert a piece of wood into the chute deflector opening to stabilize the impeller and prevent it from rotating when removing the shredder blade.
 - b. Remove the two internal hex screws, hex lock nuts, and lock washers which secure the shredder blade to the impeller. See Figure 1-3.

NOTE: Use a 5mm hex key wrench on the outside of the shredder blade and a 13mm socket wrench on the inside of the shredder blade. Hold the Allen wrench stationary and rotate the socket wrench to loose the nut.

c. Remove the hex bolt, lock washer, and flat washer to completely free shredder blade. See Figure 1-4.

IMPORTANT: If sharpening the blade for reuse, follow the original angle of grind as a guide. Make certain each cutting edge receives an equal amount of grinding to prevent an unbalanced blade. Remove metal from the heavy side until is balanced evenly.

IMPORTANT: When reassembling the blade, tighten center bolt to between 45 ft.-lbs and 60 ft.-lbs and the two out bolts to between 20 ft.-lbs and 25 ft.-lbs.

Storing Your Shredder

1. Clean the equipment thoroughly.
2. Wipe equipment with an oiled rag to prevent rust.
3. Store unit in a clean, dry area. Do not store next to corrosive materials such as fertilizer.

Troubleshooting

Problem	Cause	Remedy
Engine will not start	<ol style="list-style-type: none"> 1. Fuel valve OFF 2. Chock OPEN 3. Engine Switch OFF 4. Out of fuel 5. Bad fuel, engine stored without treating or draining gasoline, or refueled with bad gasoline 6. Spark plug faulty, fouled, or improperly gapped 7. Spark plug wet with fuel (flooded engine) 8. Fuel filter clogged, carburetor malfunction, ignition malfunction, valves stuck,etc 	<ol style="list-style-type: none"> 1.Move Fuel valve lever to ON 2.Move choke lever to CLOSED unless engine is warm 3.Turn engine switch to ON 4.Refuel 5.Drain fuel tank and carburetor. Refuel with fresh gasoline 6.Remove and inspect spark plug, Clean, gap, or replace spark plug 7.Remove and inspect spark plug. Dry and reinstall spark plug. Start engine with throttle lever in FAST position 8.Take engine to a qualified mechanic. Replace or repair faulty components as necessary
Engine lacks power	<ol style="list-style-type: none"> 1.Filter element(s) clogged 2.Bad fuel,engine stored without treating or draining gasoline, or refueled with bad gasoline 3.Fuel filter clogged, carburetor malfunction, ignition malfunction, valves stuck,etc 	<ol style="list-style-type: none"> 1.Check air Filter. Clean or replace filter. 2. Drain fuel tank and carburetir. Refuel with fresh gasoline. 3.Take engine to a qualified mechanic. Replace or repair faulty components as necessary.
Occasional skips(hesitates)at high speed	<ol style="list-style-type: none"> 1.Spark plug gap too close. 2.Carburetor idle mixture adjustment improperly set. 	<ol style="list-style-type: none"> 1.Adjust gap to .030" 2.See authorized service dealer.
Excessive Vibration	Loose parts or damaged impeller.	See authorized service dealer.
Unit dose not discharge	<ol style="list-style-type: none"> 1.Chute deflector clogged. 2.Foreign object lodged in impeller. 3.Low engine RPM. 	<ol style="list-style-type: none"> 1.Stop engine immediately and disconnect spark plug wire. Clean flail screen and inside of discharge opening. 2.Stop engine and disconnect spark plug wire. Remove lodged object. 3.Always run engine at full throttle.
Rate of discharge slows considerably or composition of discharged material changes	<ol style="list-style-type: none"> 1.Low engine RPM. 2.Chipper blade dull. 	<ol style="list-style-type: none"> 1.Always run engine at full throttle. 2.Replace chipper blade or see your authorized service dealer.

Parts List

ITEM	DESCRIPTION	QTY
1	R Pin	3
2	Hitch Pin	2
3	Tow Bar	1
4	Connector Tube	1
5	Hex Bolt M10X20	2
6	Flat Washer Ø10	2
7	Round Pin	1
8	Inner Hex Bolt M8X25	6
9	Cotter Pin Ø3X30	2
10	Flat Washer Ø16	4
11	Tire	2
12	Bushing	2
13	Chipper Hopper	1
14	Tube Support	1
15	Lock Nut M8	40
16	Hex Bolt M8X35	4
17	Frame Assembly	1
18	Axle	1
19	Lock Nut M10	2
20	Short Blade	2
21	Big Washer Ø8	17
22	Impeller Assembly	1
23	Hammer	4
24	Spring Pin Ø4x25	4
25	Hammer Pin	4
26	Long Blade	1
27	Spring Washer Ø8	1
28	Inner Hex Screw M8X110	1

ITEM	DESCRIPTION	QTY
29	Hopper Support Bracket	1
30	Hex Bolt M8X16	17
31	Back Board	1
32	Inlet Guide	1
33	Lock Nut M6	42
34	Hopper Handle	1
35	Hex Bolt M6X12	37
36	Middle Shredder Hopper	1
37	Upper Shredder Hopper	1
38	Front Board	1
39	Hex Bolt M6X35	4
40	Clapboard	1
41	Outer Fail Housing Assembly	1
42	Inner Hex Bolt M6X100	1
43	Bushing	2
44	Screen	1
45	Hex Bolt M8X40	7
46	Inner Fail Housing Assembly	1
47	Chute Deflector Assembly	1
48	Shield	1
49	Hex Bolt M8X45	1
50	6.5Hp Engine	1
51	Rivet Ø5x11	4
52	Chipper Hopper	1
53	Flat Washer Ø6	83
54	Flat Washer Ø8	4
55	Thick Big Flat Washer Ø8	1

